



Polo LED Downlight



Energy efficient integrated LED ceiling mounted or drop pendant downlight.

- Hollow ring design with diffused light emitting from inner surface
- Suitable for home use, office, hotel, restaurants and more
- 40,000 hour life
- 2000lm useful, 2200lm total lumens
- Constructed from corrosion resistant plastic
- 3000K warm white or 4000K cool white colour options
- Colour rendering index Ra≥80
- Instant full light
- Not suitable for dimming

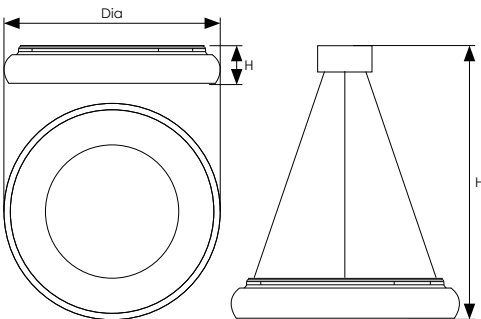
Drop Pendant Versions


- Adjustable drop from 15cm to 150cm

Ceiling Mounted Versions

- Mount as either hollow ring style or full white metal backplate - supplied
- Backplate covers any hole <298mm Ø. Ideal to replace PLC 26W CFL recessed downlight with this stylish LED luminaire

Product Code	Watts (W)	Volts (V)	Colour Appearance	Colour Temp (K)	Useful Lumens (lm)	Total Lumens (lm)	Beam Angle	Dimensions (mm)			Order Qty
								Dia	H	Drop	
Ceiling Mounted - Single Carton											
8878	25	240	Warm White	3000	2000	2200	120°	298	51	51	1
6348	25	240	Cool White	4000	2000	2200	120°	298	51	51	1
Drop Pendant - Single Carton											
8885	25	240	Warm White	3000	2000	2200	120°	298	225	225-1575	1
6355	25	240	Cool White	4000	2000	2200	120°	298	225	225-1575	1







This luminaire contains built-in LED lamps.

The lamps cannot be changed in the luminaire.

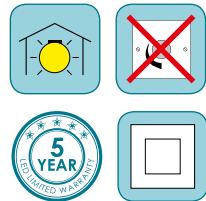
CROMPTON LAMPS



LED



874/2012



Experts in lighting since 1878

Phoebe LED™ is a trading name of Crompton Lamps Limited
 Crompton Lamps Limited registered in England and Wales No. 05590551
 Registered office and correspondence address: Unit 2, Martree Business Park, Bowling Back Lane, Bradford BD4 8QE

Tel: +44 (0)1274 657 088 Fax: +44 (0)1274 657 087 Email: sales@phoebeled.com Web: www.phoebeled.com

All images and specifications are for illustration purposes only and are subject to change without notice.
 E. & O. E. © Crompton Lamps Limited 2017



theLIA
MEMBER