



# LED PHOCARRY PORTABLE WORKLIGHT

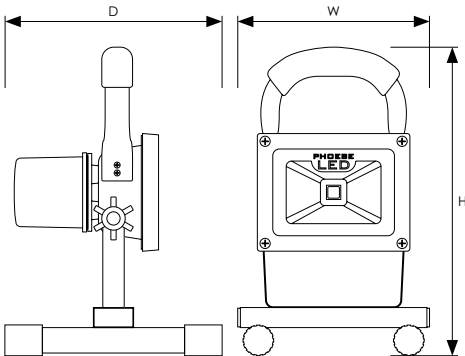
## Phocarry LED Portable Worklight



Battery operated IP65 portable carrylight. Rechargeable with car charger or mains chargers (supplied). Can be used direct from mains.

- Sturdy aluminium & iron construction
- Includes soft carry case, 12V in-car & 240V mains chargers
- High/low beam settings (800lm/400lm)
- Super bright 80lm/W LED COB
- 5 hour charge time
- 3-8 hours operation from a single charge
- 40,000 hour life
- 20,000 switching cycles
- 6000K daylight colour temperature
- Colour rendering index Ra≥70
- IP65 rated - Suitable for outdoor use

Product Code	Watts (W)	Volts (V)	Colour Appearance	Colour Temp (K)	Total Lumens (lm)	Beam Angle	Dimensions (mm)			Order Qty
							Dia	L1	L2	
<b>LED Portable Carrylight with Softcase - Single Carton</b>										
5594	10	12	Daylight	6000	800	110°	140	220	115	1
<b>LED Portable Worklight - Single Carton</b>										
5600	10	12	Daylight	6000	800	110°	145	240	160	1
5617	20	12	Daylight	6000	1600	110°	215	285	185	1
<b>LED Portable Worklight Accessories - Single Blister Pack</b>										
5709	Magnetic Feet pack for Phoebe LED 10W/20W Work Lights									1



This luminaire contains built-in LED lamps.

The lamps cannot be changed in the luminaire.

CROMPTON LAMPS

LED

874/2012

Experts in lighting since 1878

Phoebe LED™ is a trading name of Crompton Lamps Limited  
 Crompton Lamps Limited registered in England and Wales No. 05590551  
 Registered office and correspondence address: Unit 2, Martree Business Park, Bowling Back Lane, Bradford BD4 8QE

**Tel:** +44 (0)1274 657 088 **Fax:** +44 (0)1274 657 087 **Email:** sales@phoebeled.com **Web:** www.phoebeled.com

All images and specifications are for illustration purposes only and are subject to change without notice.  
 E. & O. E. © Crompton Lamps Limited 2017

