



This instruction sheet is relevant to Phoebe LED Melana Slim Bulkhead part codes: 8892

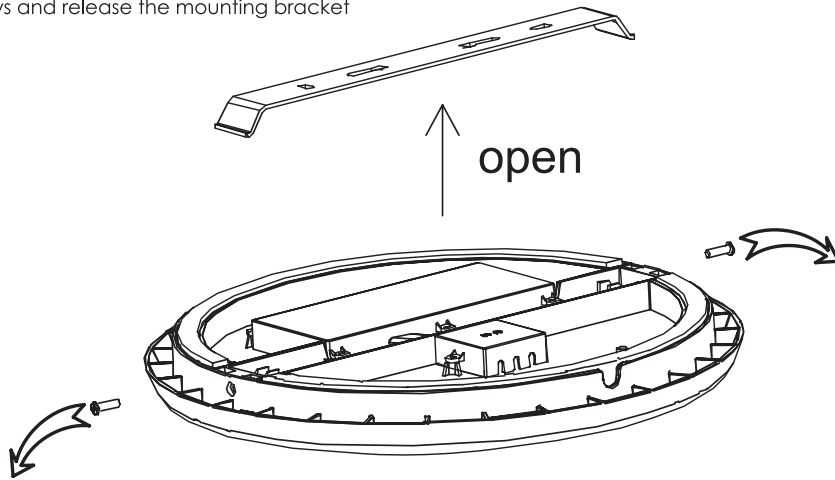
**THANK YOU for buying this PHOEBE LED product.** To help ensure this luminaire gives complete satisfaction please only use it according to the following instructions, and then pass the instructions to the appropriate person for retention and future reference.

**Warning**

1. Installation only to be carried out by a qualified electrician
2. Please ensure surface is suitable and capable of holding the lamp weight
3. Do not operate if product is damaged
4. Suitable for use in humid conditions and bathrooms Zone 2 IP54 rating (IP20 Rear)
5. This product is not suitable for fire rated installations

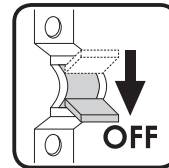
**1. Prepare the Melana Slim Bulkhead**

- a. Remove the screws and release the mounting bracket



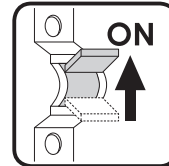
**BEFORE YOU START  
PLEASE READ ALL THE  
INSTRUCTIONS CAREFULLY**

**PRIOR TO INSTALLATION**



Turn power off at the mains

**ONLY ONCE INSTALLATION IS COMPLETE**



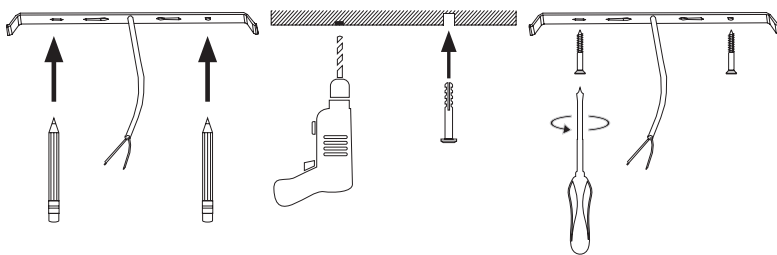
Turn power back on at the mains

**CIRCUIT TESTING**

For high voltage circuit insulation testing disconnect mains input supply first  
**(Do not circuit test using a Megger)**

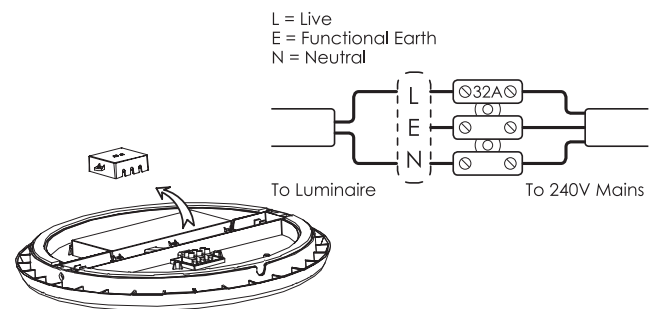
**2. Prepare Mounting Surface**

- a. Place the mounting bracket in position and mark fixing hole positions
- b. Drill fixing holes and insert supplied raw plugs
- c. Screw bracket firmly into position



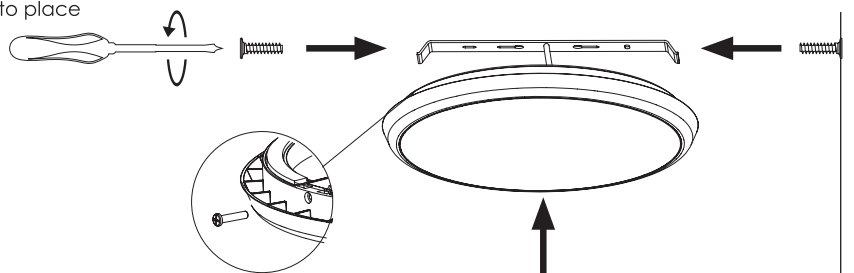
**3. Wire to Mains**

- a. Remove terminal block cover
- b. Luminaire contains a 32Amp rated terminal block
- c. Terminate cables in accordance with current wiring regulations
- d. Replace terminal block cover



**4. Attach Melana Select Bulkhead**

- a. Position luminaire over mounted bracket and push into place, ensuring bracket fixing holes are in the correct position
- b. Position screws into bracket fixing holes and tighten to fix into place



Images are for information only. Phoebe LED shall not be held liable for improper operation of the luminaire in circumstances where procedures and specifications have not been followed correctly. Crompton Lamps Limited 2017