

Hera Dual LED Downlight



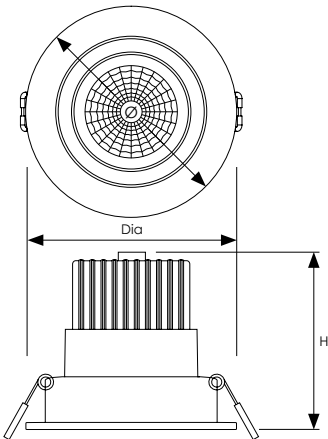
Mains operated energy efficient integrated LED downlight, featuring twin light outputs for varied lighting moods.

- Twin light outputs can be used together or independently
- Switch on and off within 3 seconds to change lighting mode
- 3000K warm white inner 24° spot light
- 6000K daylight outer light
- Colour rendering index Ra≥80
- Long life 35,000 hours maintenance free operation
- 60,000 switching cycles
- IP20 rated for indoor use
- White powder coated aluminium finish
- Faceted reflector with COB chip mounted design for low glare
- Instant full light
- Not suitable for dimming

| Product Code | Watts (W) Inner/Outer | Volts (V) | Colour Appearance Inner/Outer | Colour Temp (K) Inner/Outer | Useful/Total Lumens (lm) | Dimensions (mm) | | | Order Qty |
|----------------------|-----------------------|-----------|-------------------------------|-----------------------------|--------------------------|-----------------|----|----------|-----------|
| | | | | | | Dia | H | Cutout ø | |
| Single Carton | | | | | | | | | |
| 7567 | 9+3* | 240 | Warm White/Daylight | 3000/6000 | 700/770 | 92 | 93 | 78 | 1 |
| 7574 | 15+5** | 240 | Warm White/Daylight | 3000/6000 | 1100/1200 | 120 | 95 | 105 | 1 |

* 9W Inner and 3W Outer, 12W total when both illuminated.

** 15W Inner and 5W Outer, 20W total when both illuminated.



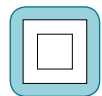
This luminaire contains built-in LED lamps.

The lamps cannot be changed in the luminaire.

CROMPTON LAMPS

LED

874/2012



Lighting brilliance since 1878



Phoebe LED™ is a trading name of Crompton Lamps Limited
 Crompton Lamps Limited registered in England and Wales No. 05590551
 Registered office and correspondence address: Unit 2, Marttree Business Park, Bowling Back Lane, Bradford BD4 8QE

Tel: +44 (0)1274 657 088 **Fax:** +44 (0)1274 657 087 **Email:** sales@phoebeled.com **Web:** www.phoebeled.com

All images and specifications are for illustration purposes only and are subject to change without notice.
 E. & O. E. © Crompton Lamps Limited 2018